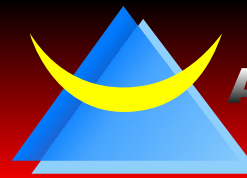


# VE5H(3H) SERIES

- 4 Pad SMD VCXO
- 5.0 and 3.3
- HCMOS Output
- Less than 1pSec RMS Jitter



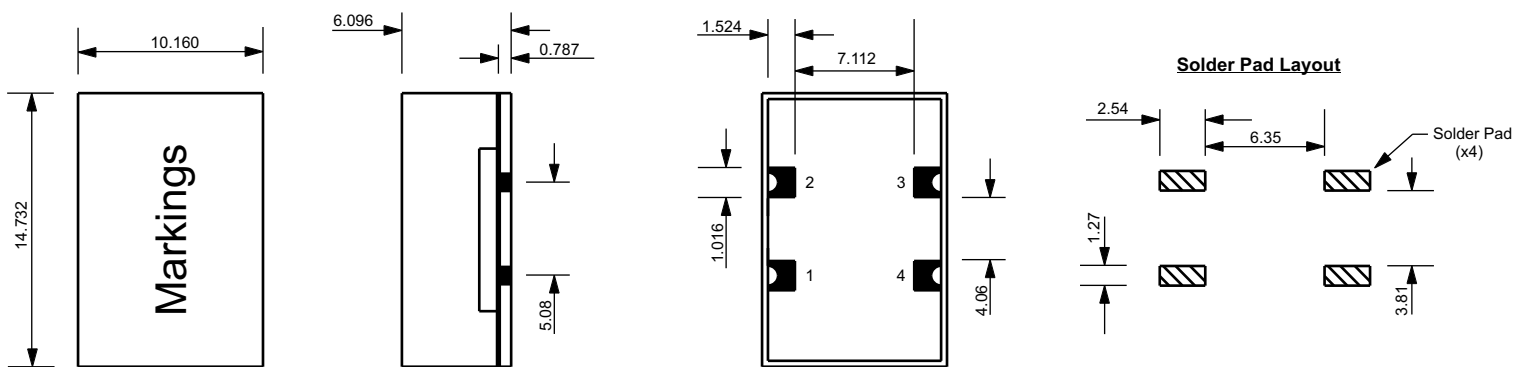
**ASCEND**

FREQUENCY DEVICES

## Electrical Specifications

Frequency Range:	-	20.000MHz to 250.000MHz
Frequency Stability:	-	±100ppm to ±20ppm (Inclusive of Temperature, Load, Voltage, and Aging)
Operating Temperature Range:	-	0°C to +70°C or -40°C to +85°C
Storage Temperature Range:	-	-55°C to +125°C
Supply Voltage (Vdd):	-	5.0Vdc ±5% or 3.3Vdc ±5%
Supply Current:	-	TBD
Output Voltage:	Logic 0 Logic 1	0.1 Vdd Maximum 0.9 Vdd minimum
Duty Cycle:	50% of waveform	50% ±10% maximum
Load Drive Capability:	-	10K Ohms // 50pF
Rise/Fall Time:	20% to 80% of waveform	2nSec maximum
Jitter:	RMS (12KHz to 20MHz)	1pSec maximum
Control Voltage Range:	Vdd = 3.3V Vdd = 5.0V	1.65Vdc ±1.5Vdc Postive Slopes 2.50Vdc ±2.0Vdc Postive Slopes
Capture Range:	-	±50ppm (Under all conditions including 10 years aging)
Input Impedence::	-	10K Ohms minimum

## Mechanical Dimensions



**Solder Pad Layout**

### MARKING

Line 1: Ascend  
 Line 2: XX.XXXR  
 ("R" Denotes RoHS Compliance)  
 Line 3: XXXXXX (Date Code)

Pad	FUNCTION
1	Voltage Control
2	Case Ground
3	Output
4	Supply Voltage

ALL DIMENSIONS  
IN MILLIMETERS

## Part Numbering Guide

**VE 5H A 1 A - 33.000M**

**Series**  
4 Pad SMD VCXO

**Supply Voltage**  
5H = 5.0V  
3H = 3.3V

**Freq. Toler/Stab.**  
A = ±100PPM  
B = ±50PPM  
C = ±25PPM  
D = ±20PPM (Only available from 0°C to 70°C Operating Temperature Range)

**Frequency**

**Duty Cycle**  
A = 40% / 60%

**Temperature Range**  
1 = 0°C to +70°C  
2 = -40°C to +85°C