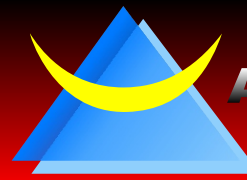


# VALUE ADDED OPTIONS

- for Oscillator Products



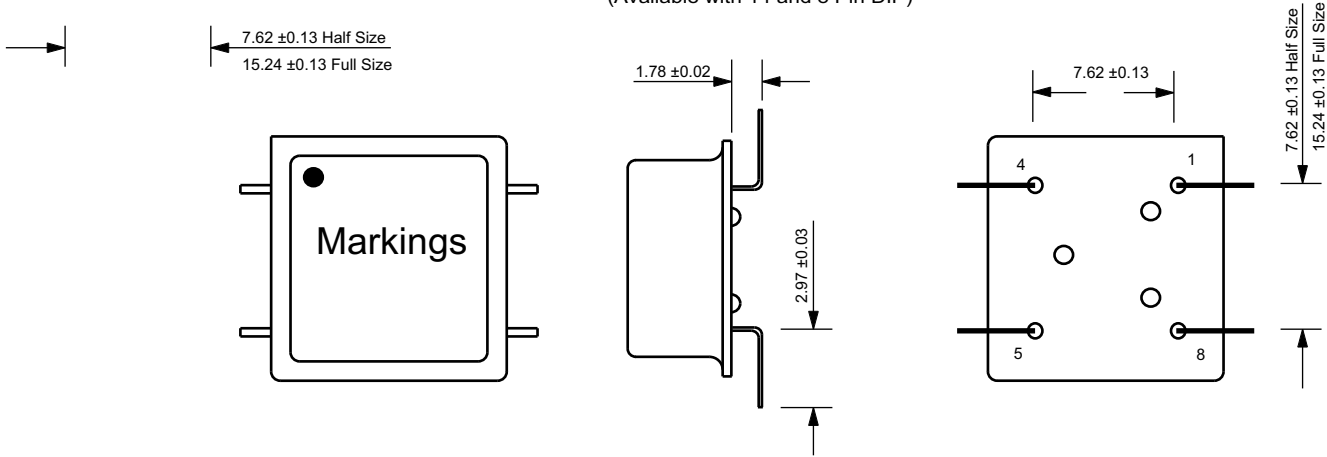
## ASCEND

FREQUENCY DEVICES

### Gull-Wing (option 1)

## ASCEND Part Number: -G

(Available with 14 and 8 Pin DIP)



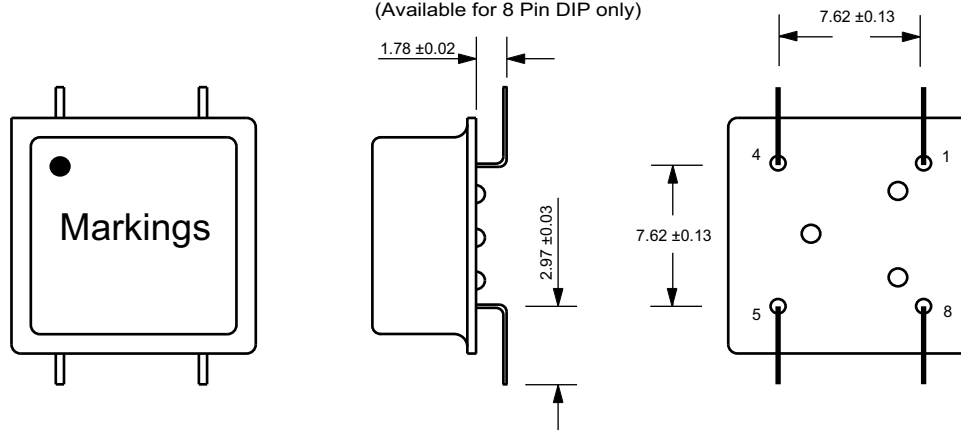
**Note:** This drawing is intended for lead dimensions only. Please refer to the appropriate Ascend Spec Sheet for additional package dimensions.

ALL DIMENSIONS IN MILLIMETERS

### Gull-Wing (option 2)

## ASCEND Part Number: -G1

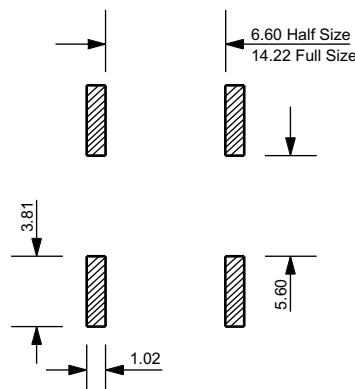
(Available for 8 Pin DIP only)



**Note:** This drawing is intended for lead dimensions only. Please refer to the appropriate Ascend Spec Sheet for additional package dimensions.

ALL DIMENSIONS IN MILLIMETERS

### Suggested Solder Pad Layout for Gull-Winging



ALL DIMENSIONS IN MILLIMETERS