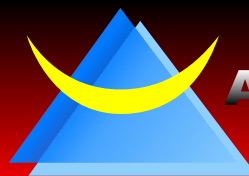


VALUE ADDED OPTIONS

- for Crystal Products



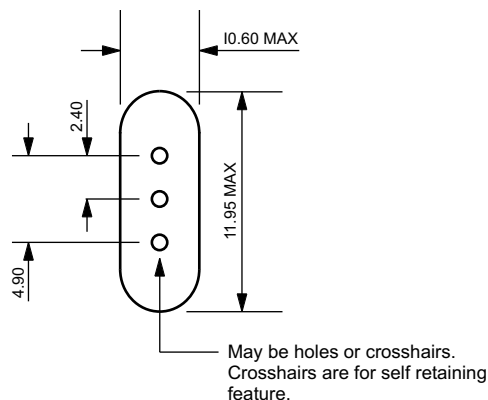
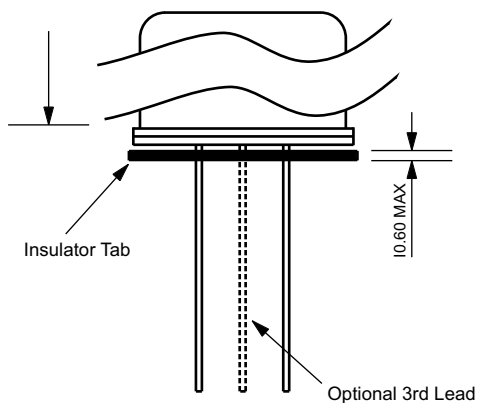
ASCEND

FREQUENCY DEVICES

Insulator Tabs

ASCEND Part Number: -I

(available for HC-49/U and HC-49/US packages)

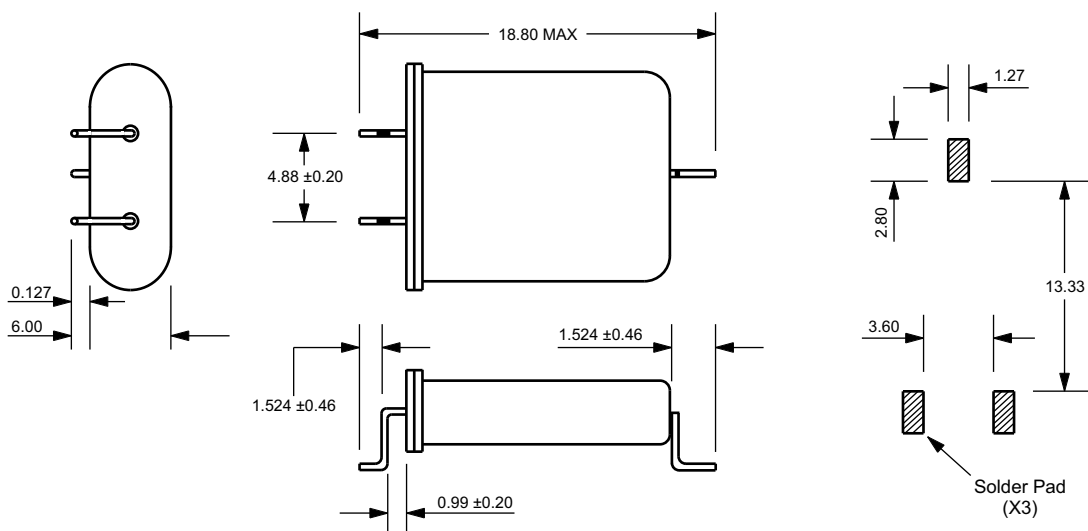


ALL DIMENSIONS
IN MILLIMETERS

Gull Wing

ASCEND Part Number: -G

(available for HC-49/U package only)

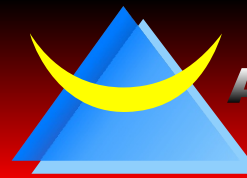


Note: This drawing is intended for lead dimensions only. Please refer to the appropriate Ascend Spec Sheet for additional package dimensions.

ALL DIMENSIONS
IN MILLIMETERS

VALUE ADDED OPTIONS

- for Crystal Products



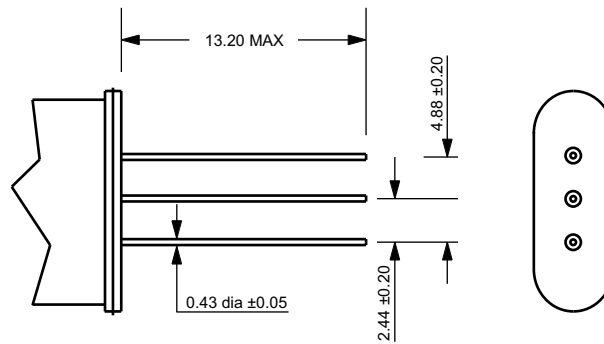
ASCEND

FREQUENCY DEVICES

3 Lead Base

ASCEND Part Number: -L3

(available for HC-49/U and HC-49/US packages)



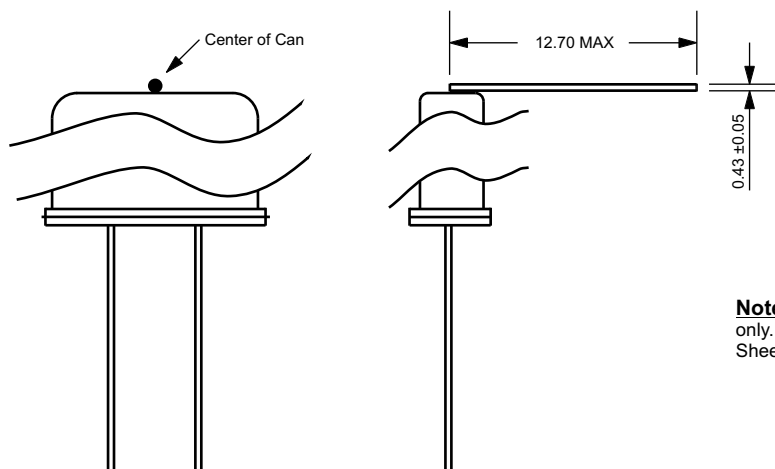
Note: This drawing is intended for lead dimensions only. Please refer to the appropriate Ascend Spec Sheet for additional package dimensions.

ALL DIMENSIONS
IN MILLIMETERS

3rd Lead (Top of Can)

ASCEND Part Number: -L

(available for HC-49/U and HC-49/US packages)



Note: This drawing is intended for lead dimensions only. Please refer to the appropriate Ascend Spec Sheet for additional package dimensions.

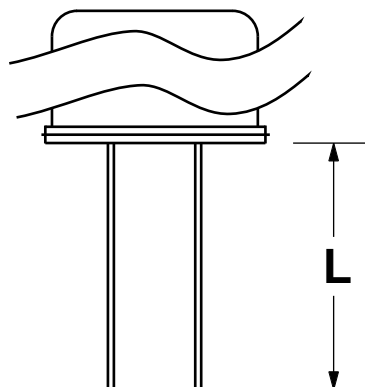
ALL DIMENSIONS
IN MILLIMETERS

Cut Leads

ASCEND Part Number: -CLXXX

(available for HC-49/U and HC-49/US packages)

SUFFIX	"L" (mm)
CL100	2.540 ±0.50
CL125	3.175 ±0.50
CL150	3.810 ±0.50
CL175	4.445 ±0.50
CL200	5.080 ±0.50
CL225	5.715 ±0.50
CL250	6.350 ±0.50
CL275	6.985 ±0.50
CL300	7.620 ±0.50
CL325	8.255 ±0.50
CL350	8.890 ±0.50
CL375	9.525 ±0.50
CL400	10.160 ±0.50



Note: This drawing is intended for lead dimensions only. Please refer to the appropriate Ascend Spec Sheet for additional package dimensions.

ALL DIMENSIONS
IN MILLIMETERS